

Please read these instructions carefully before installing and using the product!



1. PRODUCT INTRODUCTION

1.1 Multi-function 32 bay charging trolley is designed to charge and store Chromebooks, laptops, tablets, iPad devices etc. It is predominantly used in schools, airports, railway stations, hotels, bars, residential establishments and so on, where a great number of electrical devices need to be charged and stored simultaneously.

1.2 PC06B-32S is equipped with Mean well® power supply.

1.3 This product has residual current protection, over current protection and short circuit protection etc.

1.4 This product has soft start system, to reduce startup current surge and reduce impact on the grid.

1.5 Cooling fan and vents on the housing together, significantly reduce the device temperature during charging.

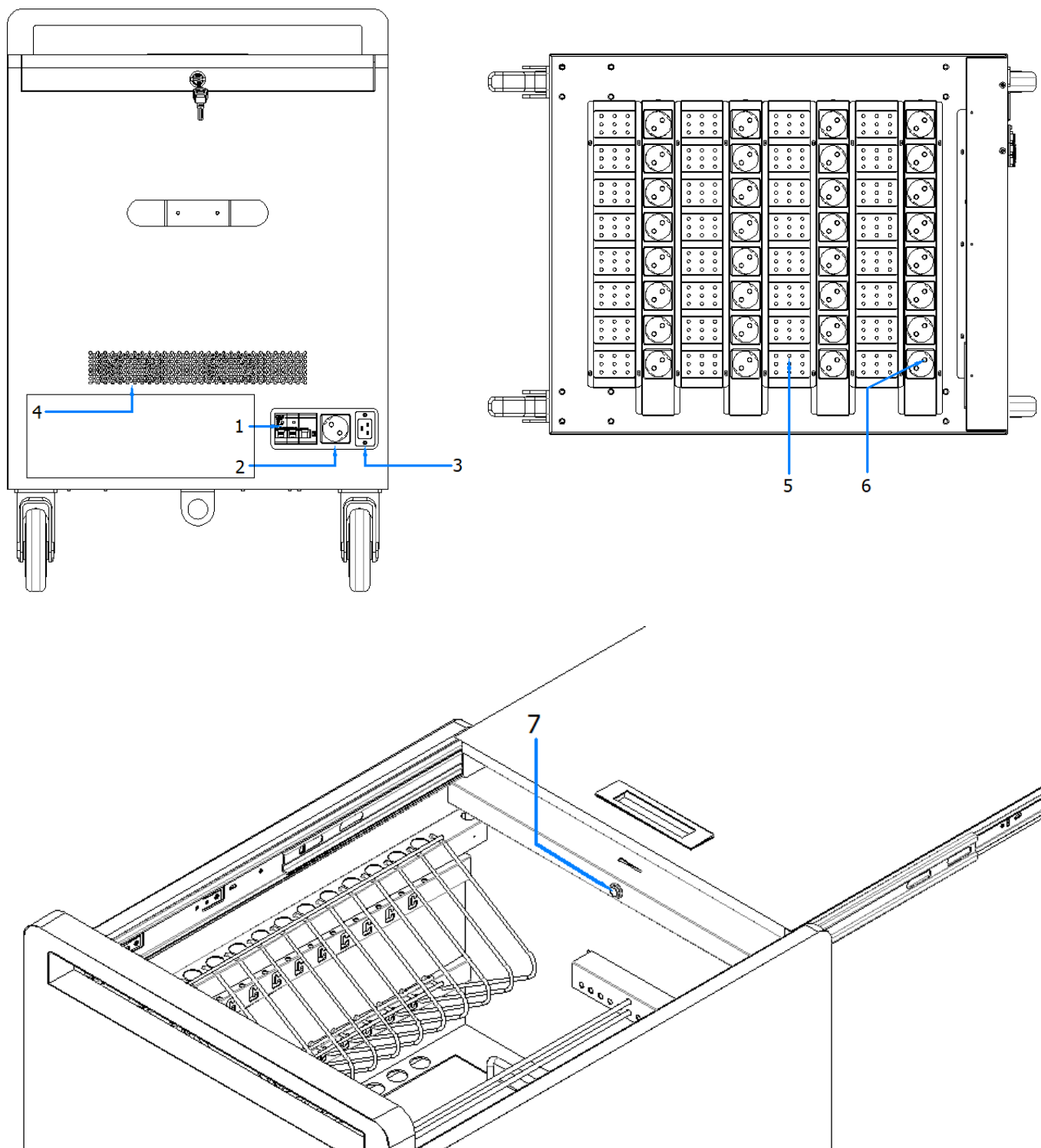
1.6 Lockable 5" caster for easy mobility.

2. SPECIFICATION

Model	PC06B-32S
Input	230-240V AC 50/60Hz 16A
Standard	IEC62368.1, EN62368.1
Protection	over current, short circuit, residual current protection, over voltage

Output	Each outlet: 220-240V AC 50/60Hz, 0.65A , 15.2A max
Bay Dimensions(mm)	32 (L) 420(H) 278(W) mm
Product Dimension(mm)	700(L) 895(H) 630(W)mm
Net Weight(kg)	57
Working Environment	Working temperature: 0°C - 40°C; Storage: -20°C - 50°C Working humidity: 10% - 95%

3. DIAGRAM

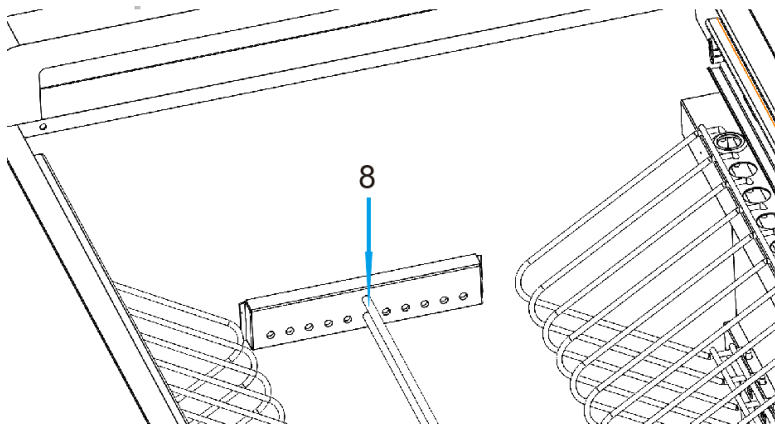


- | | |
|------------------|----------------------------------|
| 1. RCBO breaker | 5. Compartment for power adapter |
| 2. AC socket | 6. Power strip |
| 3. AC inlet | 7. Startup button |
| 4. Cooling vents | |

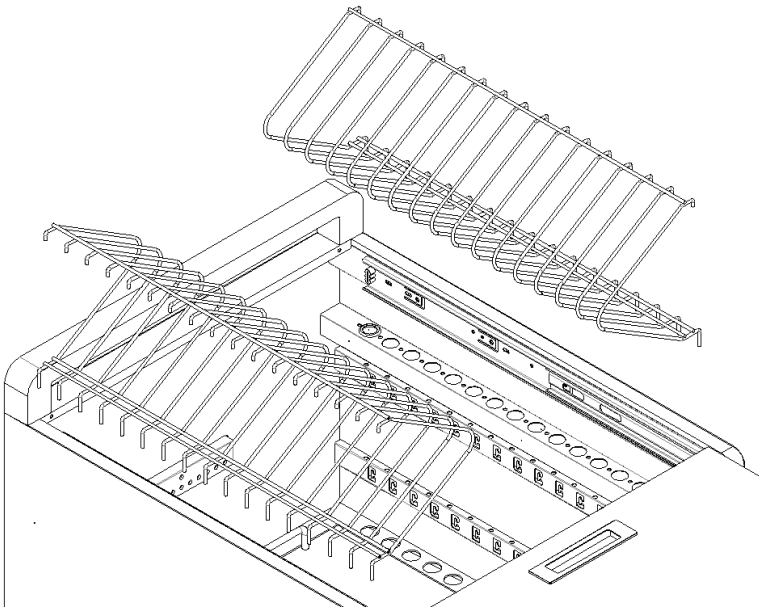
4. INSTALLATION

- 4.1 Keep the trolley upright, with the wheels on the ground.
- 4.2 The equipment is to be secured to the building structure before operation.
- 4.3 Please Consult with a structural engineer or suitable professional for installation.
- 4.4 Unit must be secured to floor and/or anchored to the wall in compliance with local architectural requirements.
- 4.5 Two people are required to lift the trolley during unpacking and installation.
- 4.6 Installation of adapters and devices shall be carried out by authorized technical personnel.
- 4.7 Do not block the ventilation openings to keep proper air flow.

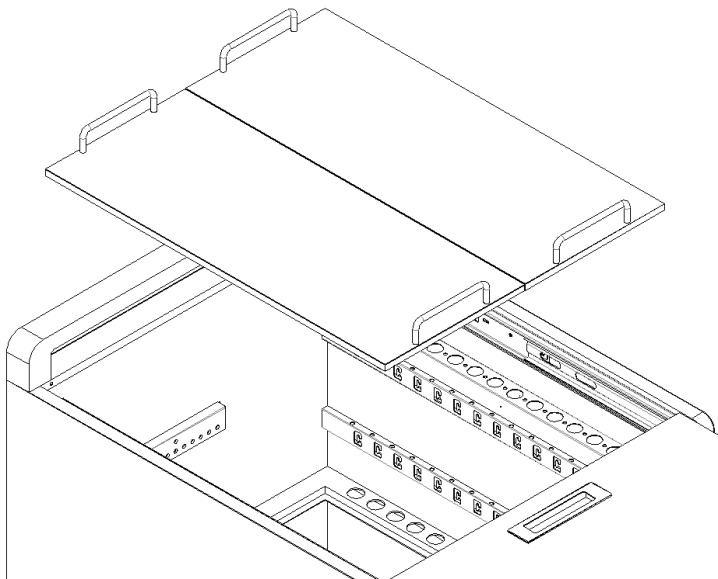
5. HOW TO USE



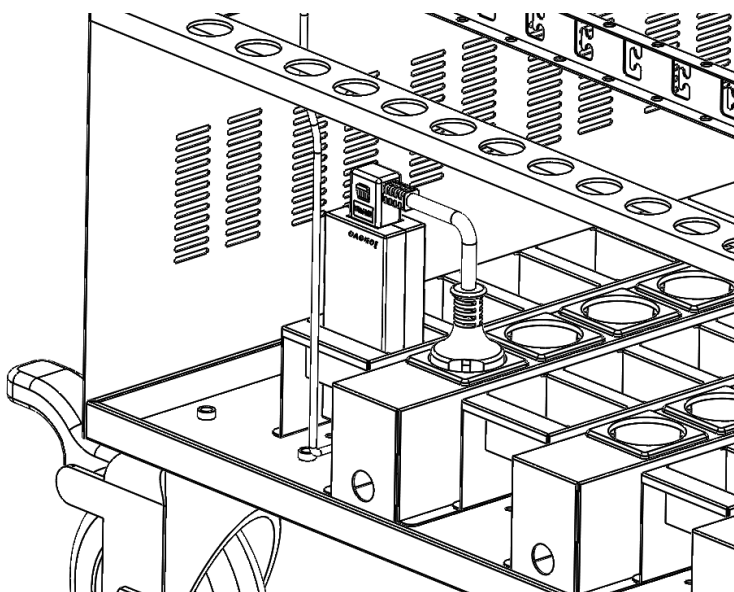
1. Turn counterclockwise to remove the metal strip.



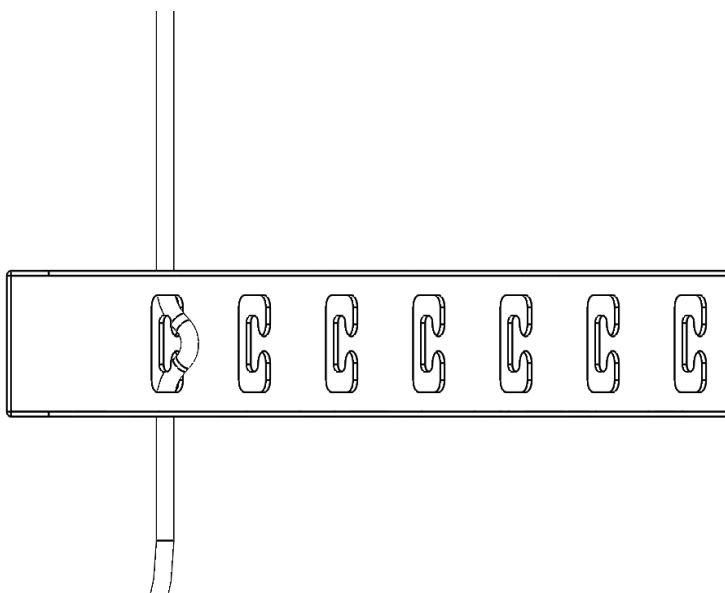
2. Remove the laptops/ Chromebooks rack.



3. Take out the bottom plates of devices compartment.



4. Install power adapters.



5. Fix the cable of power adapter.
6. After all power adapters are installed, install the bottom plates, racks and metal strips back.
7. Place laptops/Chromebooks into each slot of rack, plug in the cables.
8. Turn on main switch.
9. Press the startup button to charge.

Note: when there is power outage then immediate power recovery, if the interval is less than 10 minutes, please do not press the startup button immediately, the charging trolley will automatically start working after 10 minutes.

In other words, before pressing the startup button, make sure the interval from last working period is longer than 10 minutes.

6. SAFETY WARNING

6.1 Wall socket must have a protective ground wire;

6.2 Please don't frequently switch on/off the product, the interval should be 10 minutes or more;

6.3 Please don't disassemble, modify the product, please don't use it in high temperature and humid environment or in water;

6.4 Please don't disassemble, modify the product, please don't use it in high temperature and humid environment or in water;

6.5 Maintenance and repairs should always be performed by qualified professional technicians.

6.6 When not in use, please unplug the product;

6.7 Make sure there is no liquid, flammable, explosive or debris around.

7. ORDINARY MALFUNCTION AND REMOVAL

Charging cart can't charge devices:

- a. Check if power cord is connected properly;
- b. Check if switch is on.
- c. Use another power cord.

If above method cannot correct the fault, please contact the dealer.